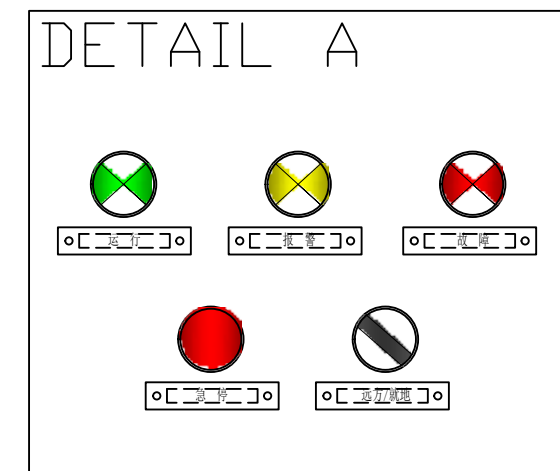
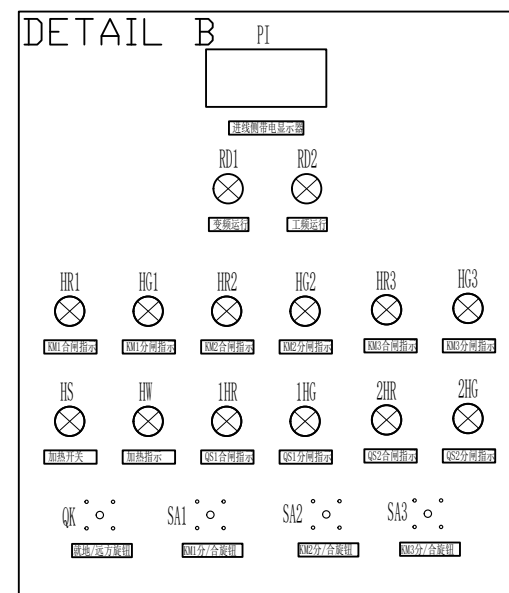


- NOTE;
1. MODE OF CABLE ENTRY FOR PRIMARY & SECONDARY CABLES ARE BOTTOM IN AND BOTTOM OUT.
 2. STANDARD COLOUR OF PANEL IS 0622.

- LABEL:
1. TX PANELS-EACH PAIR OF DOUBLE DOOR WILL PLACE A "LABEL 14". IF USING SINGLE DOOR, THEN EACH DOOR WILL LABEL AS "LABEL 141".
 2. UNIT PANEL-EACH PAIR OF DOUBLE DOOR WILL LABEL AS "LABEL 12+15". IF USING SINGLE DOOR, THEN EACH DOOR WILL LABEL AS "LABEL 12+15"
 3. CONTROL PANEL-EACH SINGLE DOOR WILL LABEL AS "LABEL 11".
 4. BACK LABELLING-EACH BACK PLATE WILL LABEL AS "LABEL 14". THE POSITION IS AT THE CENTRE AND 1.6M FROM BOTTOM.
 5. TERMINAL BOX PANEL-EACH SINGLE DOOR WILL LABEL AS "LABEL 13".
 6. TRANSITION PANEL-EACH DOUBLE DOOR WILL LABEL AS "LABEL 12+15. IF USING SINGLE DOOR, THEN EACH DOOR WILL LABEL AS "LABEL 12+15".



					DRAWN	PROJECT NAME :		TITLE :		SCALE			
					CHECKED			VFD OUTER DIMENSION		FILE			
					APPROVED			Honeywell		PROJECT NO.		DRAWING NO.	
REV.	DESCRIPTION	BY	APP 'D	DATE	DATE					SHEET 1		1 SHEETS	
1										7		8	