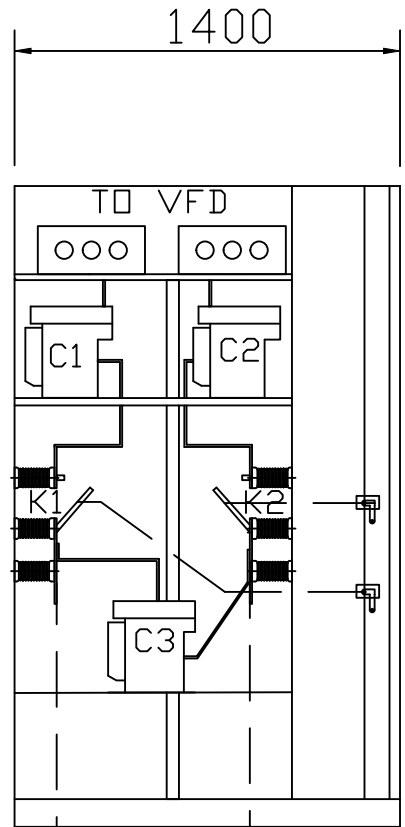
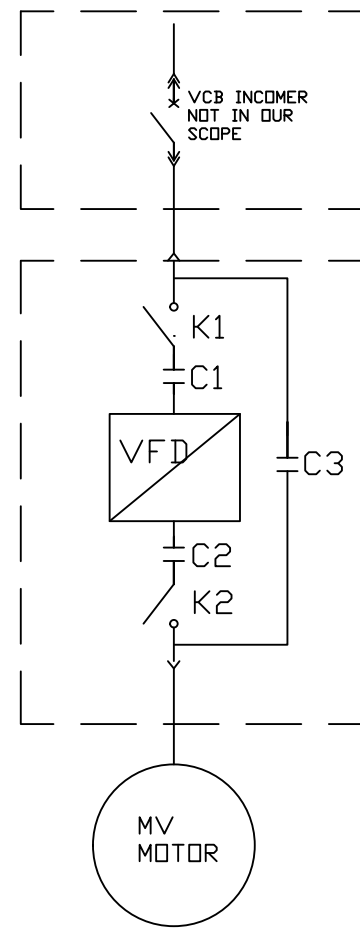


FRONT VIEW



SECTION VIEW



DRAWN		JIMMY WONG		PROJECT NAME :		TITLE :		SCALE		NOT TO SCALE		4.16kV VFD BYPASS PANEL	
CHECKED				VFD AUTO- CHANGEOVER PANEL		SLD GA & SECTION DRAWING FOR PHILIPPINES EHOUSE		FILE		CONTRACT NO.:		DRAWING NO.	
APPROVED				24/11/2020		ZENITH SWITCHGEAR (M) SDN BHD		PROJECT NO.		ROCKWELL		ZS-24-11-2020	
REV.	DESCRIPTION	BY	APP'D	DATE	DATE			DRAWING NO.		ZS-24-11-2020		SHEET 1	
												1 SHEETS	